

# Hanger bolt EDR



## Advantages



- Hanger bolts have a wooden thread on one side and a metric thread on the other
- Suitable for fixing directly into wood or in combination with plugs into other base materials
- For easy installation with external hex and TX recess

## Suitable building materials

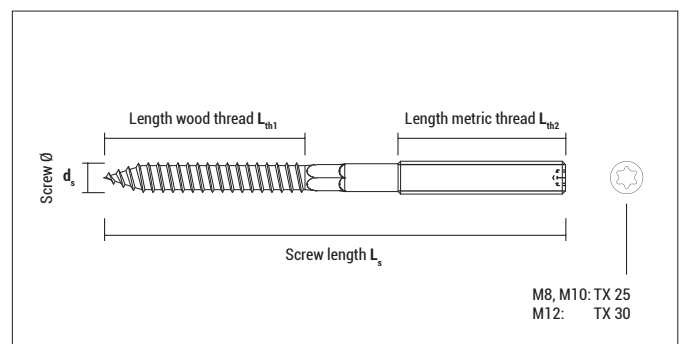
### Very suitable



- Wood

- Nylon plugs

## Mounting



### EDR, zinc plated

Type $d_s \times L_s$	Art-No	$d_s$ [mm]	$L_s$ [mm]	$L_{th1}$ [mm]	$L_{th2}$ [mm]	€ / 100 pcs	[pcs]	[pcs]
M8 x 50	9850EDR	8	50	30	15		100	1.800
M8 x 60	9860EDR	8	60	30	20		100	1.800
M8 x 80	9880EDR	8	80	40	30		50	900
M8 x 100	98100EDR	8	100	45	40		50	900
M8 x 120	98120EDR	8	120	50	50		50	900
M10 x 80	91080EDR	10	80	40	30		50	600
M10 x 100	910100EDR	10	100	60	30		50	600
M10 x 120	910120EDR	10	120	60	40		50	600
M10 x 140	910140EDR	10	140	60	50		50	600
M12 x 125	912125EDR	12	125	60	40		50	250